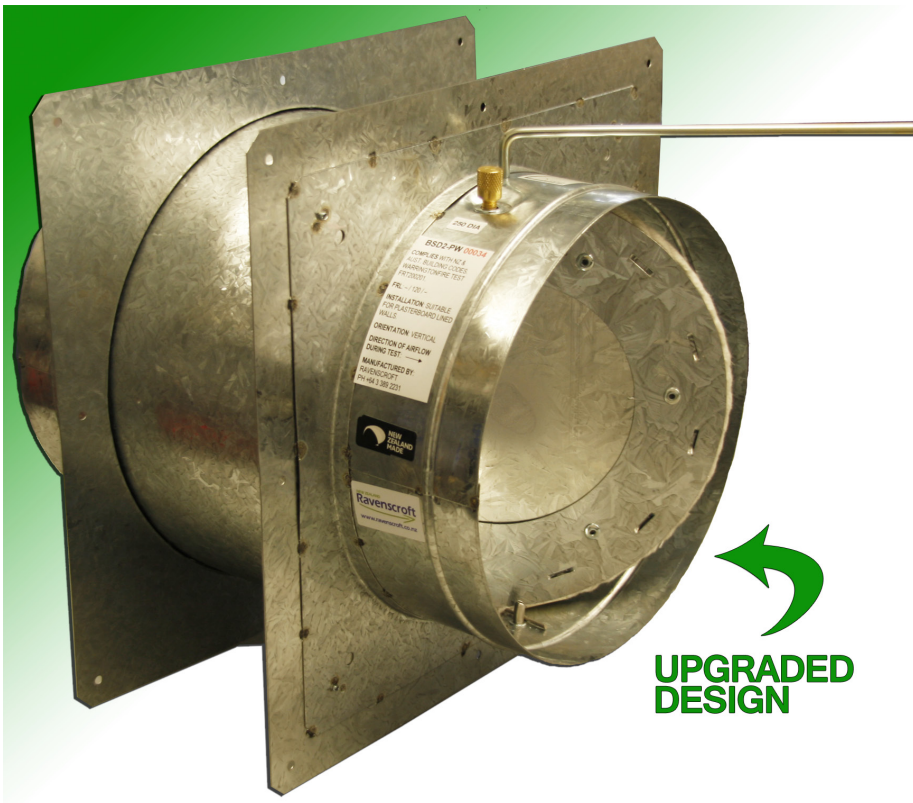


RAVENSCROFT BSD (SERIES 2) FIRE DAMPER FOR PLASTERBOARD WALLS



The Ravenscroft BSD (Series 2) Fire Damper is an upgraded version of the trusted Ravenscroft BSD Fire Damper, which is already well known for its easy installation and maintenance.

The BSD2 meets the Australian and New Zealand standards (AS.1530.4-2014) and has been proven to have a very low air leakage rate.

The BSD2 has the same benefits as the original BSD fire damper. It combines a balancing damper and fire damper enabling a fast installation without requiring any special framing.

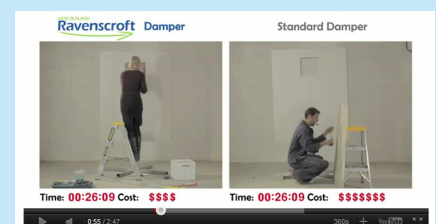
The plasterboard wall (PW) model comes with insulation to protect the plasterboard wall from fire. This insulation is encapsulated in steel and therefore is protected from damage. All Ravenscroft Fire Dampers can be adjusted to the wall thickness.

The fire damper is supplied as a kitset with all necessary fasteners and instructions. This minimises installation error to maximise safety.

These fire dampers are rated up to 2 hours. Fuse release is external therefore damper is easily activated and reset during building maintenance checks. No duct inspection hatch is required to check either the damper operation or the fuse.

The Ravenscroft BSD (Series 2) Fire Damper has many advantages over traditional fire dampers:

- Meets the latest standards
- Fast installation
- Specifically designed for installation in plasterboard walls
- No separate balancing damper or duct access hatch required
- Supplied as a kitset
- Custom lengths on request
- Stainless steel version



To see the quick and easy damper installation yourself, visit ravenscroft.co.nz/index.php/video to view the damper installation comparison video!

RAVENSCROFT BSD (SERIES 2) FIRE DAMPER FOR PLASTERBOARD WALLS

INSTALLATION

This Ravenscroft Fire Damper is specifically developed for plasterboard walls with extensions and flanges made of galvanised steel. On application, a stainless steel version is also available.

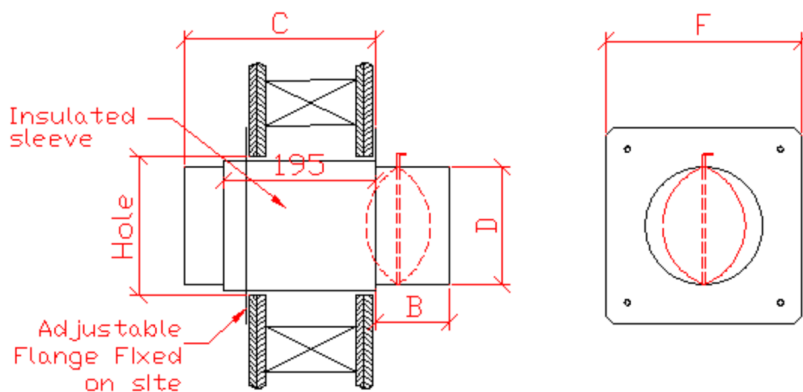
The unit is secured in a wall by flanges fastened directly to the plasterboard only. The 400 diameter units have flanges sized to overlap standard spaced studs with fastening to the studs and plasterboard.

One flange is fixed to the damper and the other supplied loose to accommodate variations in wall thickness. The standard maximum thickness for penetrations through plasterboard cavity walls is 180 mm. Other lengths can be manufactured to order.

All screws and rivets are provided as part of the kitset and must be used. Approved fire rated mastic required to seal the flanges to the wall and duct tape for flexible connectors are not included in the kitset.

The wall cavity must be protected from heat during a fire. Therefore, the plasterboard wall fire damper incorporates a fire rated ceramic insulation blanket encapsulated in galvanised steel. This ensures the insulation properties are consistent and protected before, during and long after installation.

The insulation value is therefore independent of the installers skill level ensuring maximum safety.



BSD-PW	D	Hole	B	C	F
125	124	165	95	245	225
150	149	190	95	245	250
175	174	215	95	245	275
200	199	240	95	245	300
250	249	290	95	245	350
300	299	340	155	245	410
400	399	440	155	245	650

APPROVAL

The Australian & NZ Building Codes require fire dampers to comply with AS 1682 Part 1 & 2, and AS1530.4 as the Acceptable solution.

The BSD-PW Series 2 complies with the Australian & NZ Building Codes as an Acceptable solution.

Verification as follows: WarringtonFire test report FRT200201 and WarringtonFire assessment report FAS200328, results confirm the plasterboard mounting system for the BSD-PW Series 2 will provide an FRL of -/120/- according to AS1530.4-2014.

RELEASE ALTERNATIVES

Alternative means of release are available on application. These include e.g. specially designed Belimo spring-return actuators and heat release sensors.

SOUTH ISLAND SALES
Ravenscroft
03 389 2231
www.ravenscroft.co.nz

NORTH ISLAND SALES
Pacific Ventilation
0800 100 326
www.pacificventilation.com