



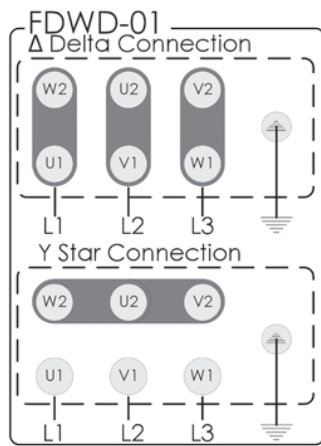
Wiring Diagrams

All wiring diagrams are current at the time of publication, check the wiring diagram supplied with the motor.

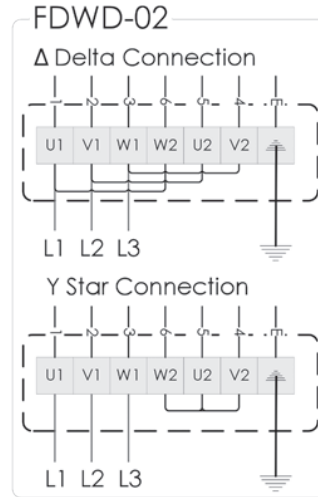
Product Series	Associated Wiring Diagrams
AB/AC/AT/AX/AY/AZ Adjustable Pitch Inline Axial Fans	FDWD-01, FDWD-02, FDWD-03, FDWD-04, FDWD-05, FDWD-07
DP/SP Adjustable Pitch Wall Axial Fans	FDWD-01, FDWD-02, FDWD-03, FDWD-04, FDWD-05
DQ/DS/VD Adjustable Pitch Roof Axial Fans	FDWD-01, FDWD-02, FDWD-03, FDWD-04, FDWD-05
LD/LE/LS/LR Heavy Gauge Adjustable Pitch Roof Axial Fans	FDWD-01, FDWD-02, FDWD-03, FDWD-04, FDWD-05
BKMV/KMV Centrifugal Kitchen Metal Exhaust Fan	FDWD-01, FDWD-03, FDWD-04, FDWD-06, FDWD-07, FDWD-08, FDWD-10, FDWD-11, FDWD-12, FDWD-14, FDWD-20, FDWD-34
ICQ/IMQ/TCO/TCV/ACC/ASC Centrifugal Fans	FDWD-02, FDWD-03, FDWD-04, FDWD-07, FDWD-08, FDWD-10, FDWD-11, FDWD-12, FDWD-14, FDWD-20, FDWD-21, FDWD-24, FDWD-29 FDWD-34
CVB/CVS Fixed Pitch Roof Axial Fans	FDWD-01, FDWD-02, FDWD-06, FDWD-08, FDWD-10, FDWD-15, FDWD-16, FDWD-17, FDWD-18
WCE/S Centrifugal Wall Fan	FDWD-07, FDWD-10
RCV/RCD/BRCD/TCV Centrifugal Roof Fans	FDWD-08, FDWD-09, FDWD-10, FDWD-11, FDWD-12, FDWD-13, FDWD-14, FDWD-22, FDWD-24, FDWD-26, FDWD-34
CS Roof Centrifugal Supply Fans	FDWD-08, FDWD-10, FDWD-11, FDWD-14, FDWD-20, FDWD-26, FDWD-34
WRE, WQE, WRS, WQS Small Wall Fans	FDWD-08, FDWD-19
FEF Fixed Pitch Inline Axial Fans	FDWD-08, FDWD-09, FDWD-10, FDWD-11, FDWD-19
WAE/WAS/RPA Fixed Pitch Wall/Ring Axial Fan	FDWD-08, FDWD-10, FDWD-11
JVC25/JCC31/JCC25/JAU35/JAU31 Jet Fans	FDWD-25, FDWD-28
FAD/FAL/FAW	FDWD-30



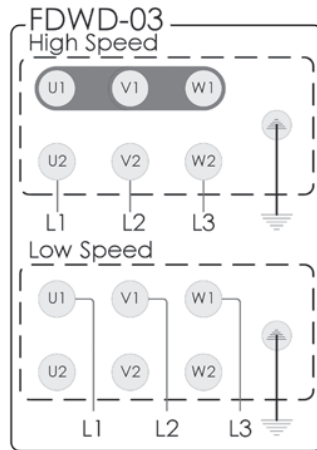
Wiring Diagram – continued



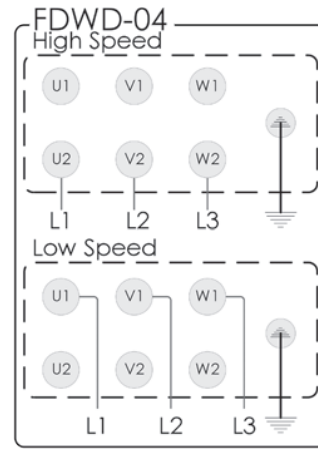
FDWD-01 – Single Speed 3 Phase connection in motor junction box



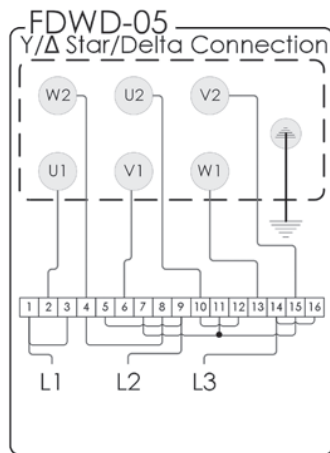
FDWD-02 – Single Speed 3 Phase connection at terminal strip connector



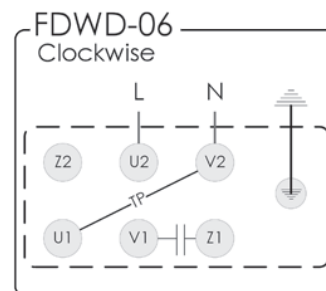
FDWD-03 – Two Speed 3 Phase Dahlander Connection (Tapped Windings)



FDWD-04 – Two Speed 3 Phase Dual Windings

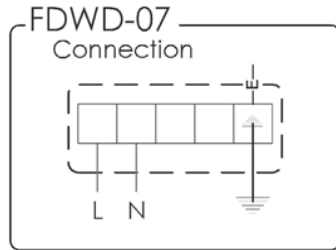


FDWD-05 – Star/Delta connection for single speed 3 phase motors using Fans Direct supplied Star/Delta Switch

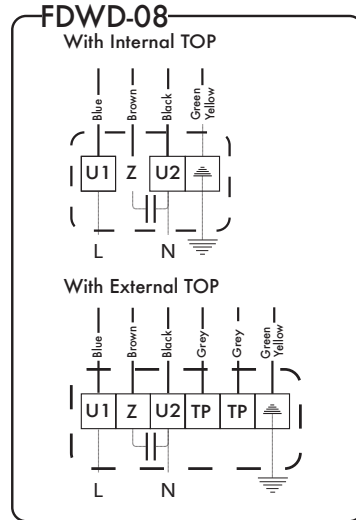


FDWD-06 – Single Speed 1 Phase connection in motor junction box

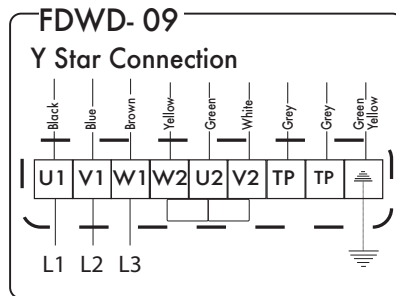
Wiring Diagram – continued



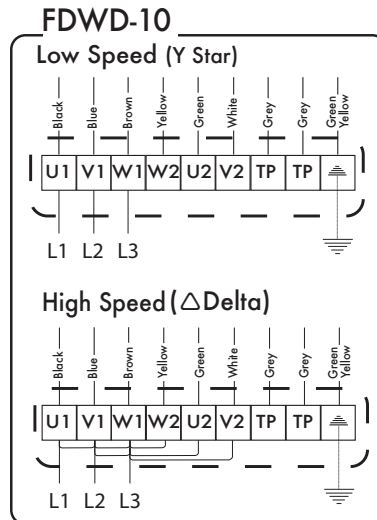
FDWD 07 Single Speed 1 Phase connection at terminal strip connector



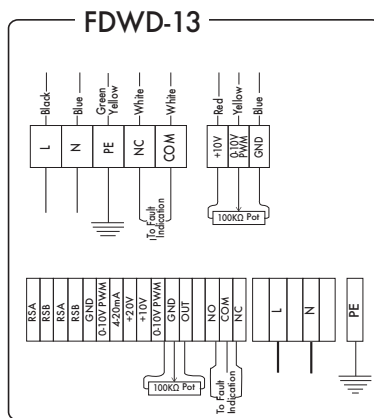
FDWD 08 Single Speed 1 Phase connection at terminal strip connector



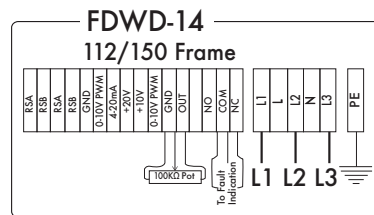
FDWD-09 – Single Speed 3 Phase connection at terminal strip connector



FDWD-10 – Two Speed 3 Phase connection at terminal strip connector

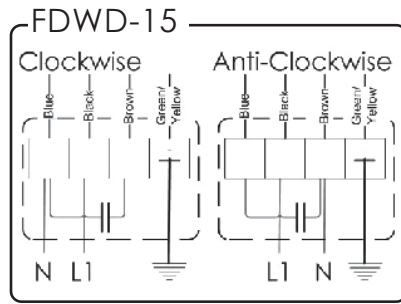


FDWD-13 – Single Phase EC fan motor

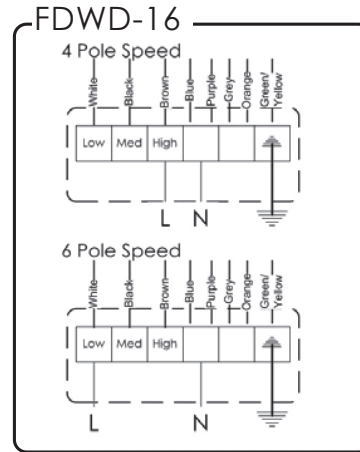


FDWD-14 – Three Phase EC fan motor

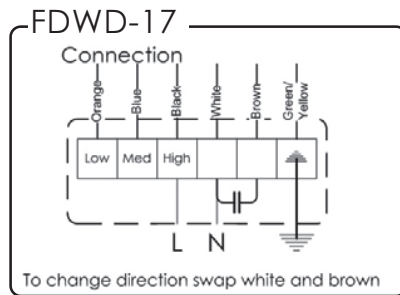
Wiring Diagram – continued



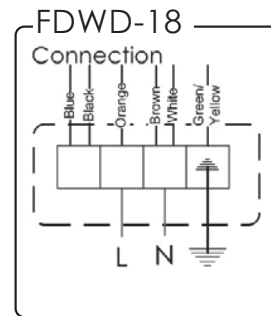
FDWD-15 – Single Speed 1 Phase connection



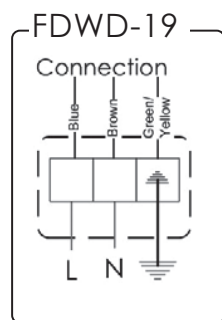
FDWD-16 – 1 Phase Connection 4 + 6 Pole Speeds



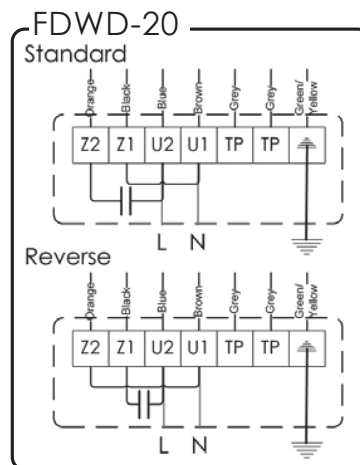
FDWD-17 – Single Speed 1 Phase connection



FDWD-18 – Single Speed 1 Phase Connection

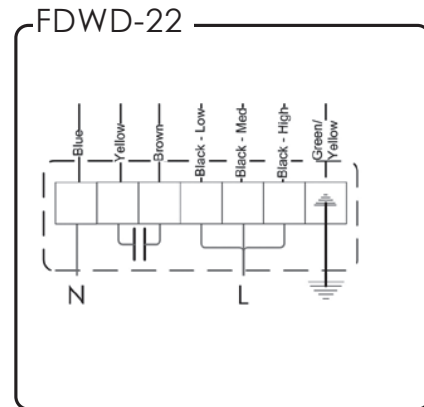
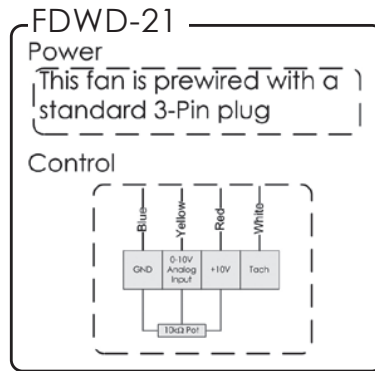


FDWD-19 – Single Speed 1 Phase connection



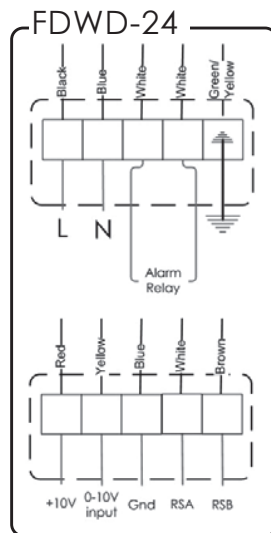
FDWD-20 – Single Speed 1 Phase Connection. Forward + Reverse.

Wiring Diagram – continued

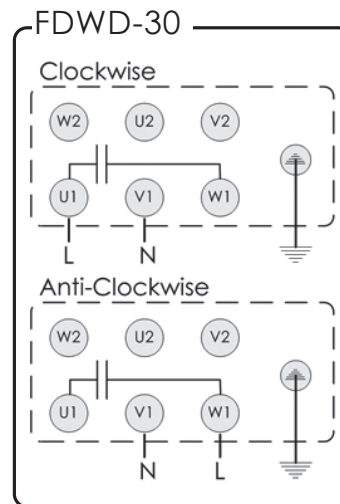


FDWD-21 – 1 Phase EC Fan with 3 Pin Plug

FDWD-22 – Three Speed 1 Phase Connection

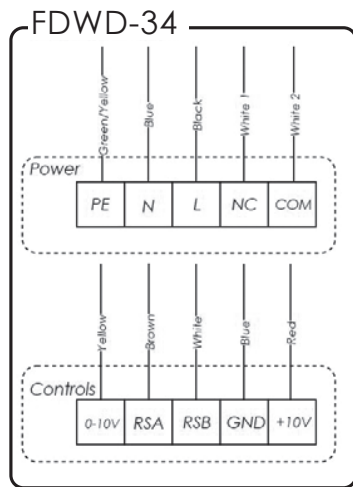


FDWD-24 – Single Phase EC Fan Motor



FDWD-30 – Single Speed 1 Phase Connection

Wiring Diagram – continued



FDWD-34 – Single Speed EC Fan Motor

EC motor terminology

RSB	Both terminals are for Modbus communication
RSA	control signal +10v output
+10v	control signal input (e.g. feedback from 0-10v or pot)
0-10v	control signal input (e.g. feedback from 0-10v or pot)
DINI	digital input terminal 1
NC	normally closed alarm terminal (floating contact)
NO	normally open alarm terminal (floating contact)
COM	common alarm terminal (floating contact)
GND	ground connection



We are the safe choice.



Pacific Ventilation Pty Ltd

AU 1300 733 833
NZ 0800 100 326

www.pacificventilation.com



Pacific Ventilation