



EC-Basic-H humidity

Item Number: 24807

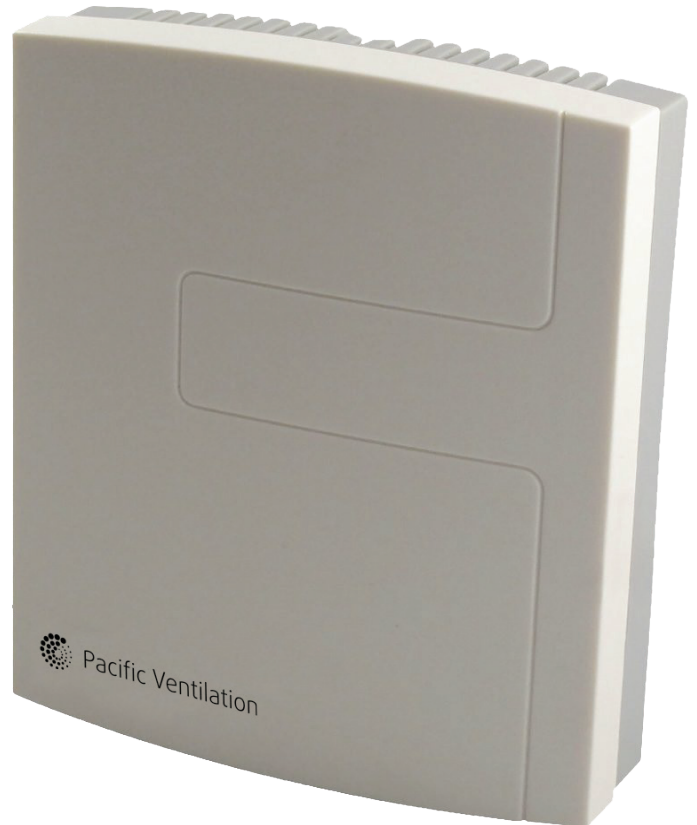
Variant: 265V 50/60Hz

- Simple to install, connect and set up
- 50/60HZ mains option
- Can be used with all 220V single phase and 380V three phase EC fans
- Built in sensor
- Conforms to CE standards EN 60730-1, EN 61000-6-3, EN 61000-6-1
- Demand control made simple

The controller compares room humidity with an adjustable set point (SW1) and regulates a 0..10 V output signal applied to a ventilator with a proportional algorithm in direct or reverse action based on jumper JP1 setting:

JP1 closed 1-2 = reverse action

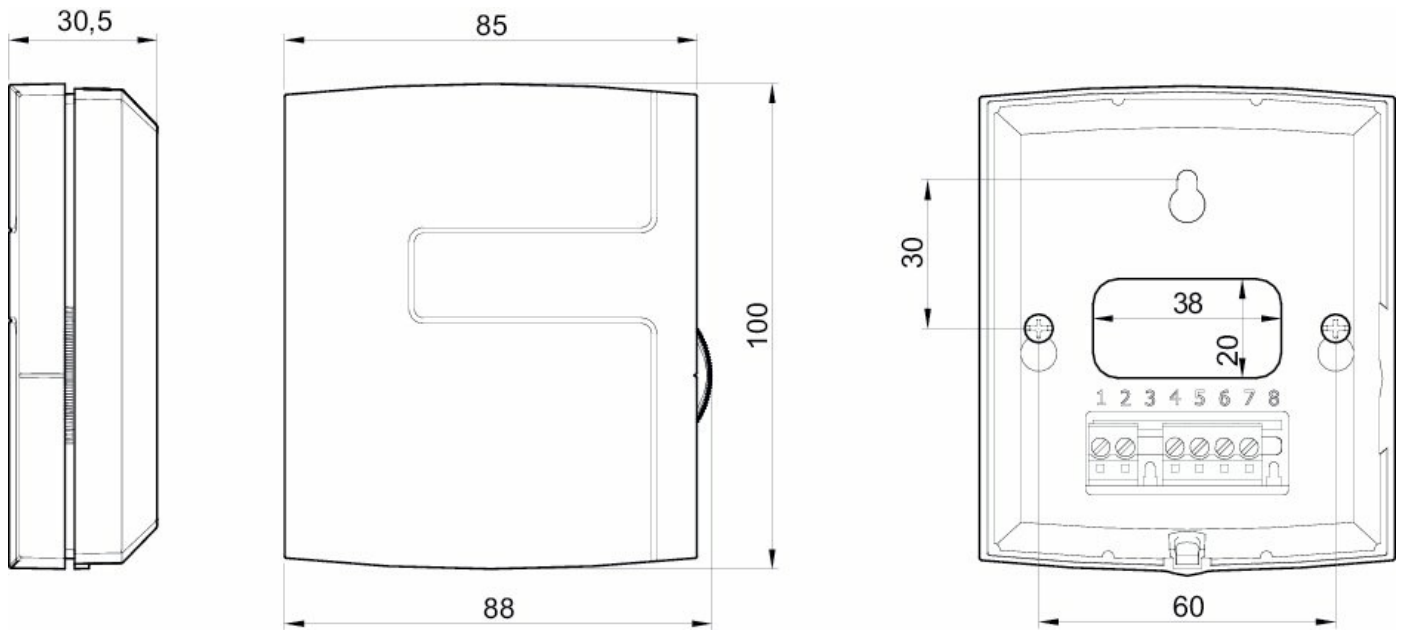
JP1 closed 2-3 = direct action



Technical parameters

| Normal data | | |
|------------------------|-----------|-----|
| Voltage (Nominal) | 265 | V |
| Rated voltage | 85 to 265 | V |
| Frequency | 50; 60 | Hz |
| Input power | 0 | W |
| Temperature | -20 to 50 | °C |
| Controller and Sensors | | |
| Humidity measurement | 0 to 100 | %RH |
| Dimensions and weights | | |
| Weight | 0.137 | kg |

Dimension



Wiring

