

Vibration isolators



RHE Rubber Isolation Hanger Element

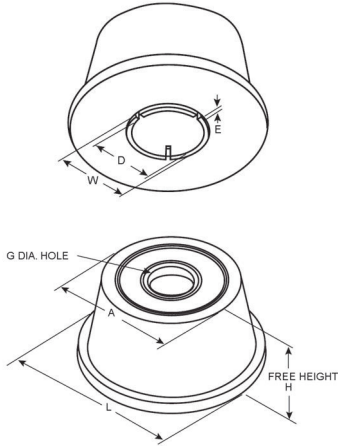
A low cost, low deflection hanger element for effective isolation of noise and vibration from mechanical equipment. Typically used for trapeze supported piping, packaged air conditioners, fan coil units and fans. Particularly useful where space is limited.

Features

Colour coded for easy identification
Corrosion proof - all metal elements embedded in the elastomer

Further Technical Information

Detailed technical information is available from the manufacturer, GP Embelton and Co Pty Ltd. A PDF catalogue is available for download at www.embelton.com.au



Type	Colour Code	Max Load Kg	Static Defl. MM	H	L	W	D	A	G	E
RHE1	Blue	17	5	27	45	25	22	36	10	2
	White	25								
	Red	40								
	Green	55								
RHE2	White	70	6	32	60	30	25	45	16	3
	Red	100								
	Green	160								
	Grey	250								



RH Rubber Isolation Hanger

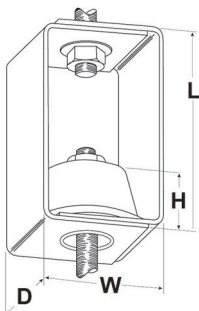
A low cost, low deflection hanger for effective isolation of noise and vibration from mechanical equipment. Typically used for piping, packaged air conditioners, fan coil units and fans.

Features

The active element is colour coded for easy identification
Heavy duty steel cage
Fully weather proof
Resistant to failure caused by fire or mechanical damage

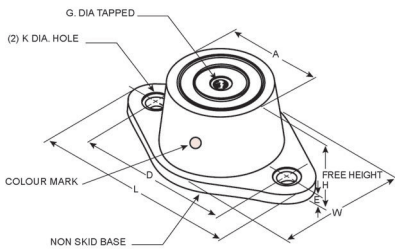
Further Technical Information

Detailed technical information is available from the manufacturer, GP Embelton and Co Pty Ltd. A PDF catalogue is available for download at www.embelton.com.au



Type	Colour Code	Max Load Kg	Static Defl. MM	H	L	W	D	G
RH1	Blue	17	5	31	75	60	50	10
	White	25						
	Red	40						
	Green	55						
RH2	White	70	6	41	130	75	65	16
	Red	100						
	Green	160						
	Grey	250						

Vibration isolators



NR Rubber Mounting

A low cost rubber/steel mounting for effective isolation of noise and vibration from mechanical equipment with speeds of 1,000 rpm and higher.

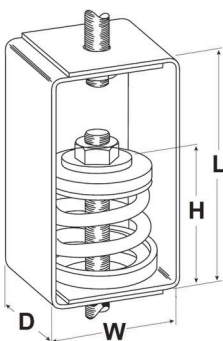
Features

Colour coded for easy identification
Corrosion proof - metal all elements embedded in the elastomer
Non-skid ribbed base

Further Technical Information

Detailed technical information is available from the manufacturer, GP Embelton and Co Pty Ltd. A PDF catalogue is available for download at www.embelton.com.au

Type	Colour Code	Max Load Kg	Static Defl. MM	H	L	W	D	A	G	K	E
NR1	Blue	17									
	White	25									
	Red	40	5	28	80	45	60	36	M10	8.5	5
	Green	55									
	Grey	80									
NR2	White	70									
	Red	100	6	32	98	60	76	45	M10	8.5	6
	Green	160									
	Grey	250									
NR3	White	145									
	Red	200	6	44	140	85	104	68	M12	14	7
	Green	300									
	Grey	500									
NR4	Blue	380									
	White	580	6	46	166	110	128	100	M16	14	9
	Red	850									
	Green	1300									



SHS Isolation Hanger

A steel spring hanging mount for effective isolation of noise and vibration from mechanical equipment.

Features

Colour coded for easy identification
Fully weather proofed
Rugged, heavy gauge steel cage
Non-skid ribbed base

Further Technical Information

Detailed technical information is available from the manufacturer, GP Embelton and Co Pty Ltd. A PDF catalogue is available for download at www.embelton.com.au

Type	Max Load Kg	Static Defl. MM	Spring Colours	H	L	W	D	G
SHS-9	10	33	Yellow					
SHS-10	15	33	Brown					
SHS-11	30	33	Blue					
SHS-12	50	28	Black					
SHS-13	75	25	Red	86	130	75	65	12
SHS-14	125	25	Green					
SHS-16	175	20	Grey					
SHS-17	200	15	Orange					

Vibration isolators



XS-XL Open Spring Mount

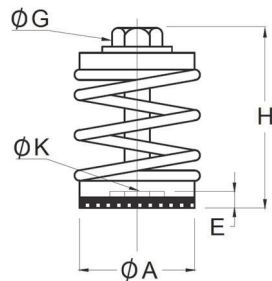
Steel spring mount for effective isolation of noise and vibration from mechanical equipment. Easily installed and the spring can be easily interchanged to give a wide range of load/deflection characteristics.

Features

- Colour coded for easy identification
- Fully weather proofed
- Rubber isolated bolt hole in base
- Built in levelling bolt with locking cap screw (XL only)
- Separate top and bottom locating cups
- Heavy duty stable steel spring

Further Technical Information

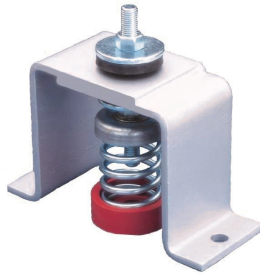
Detailed technical information is available from the manufacturer, GP Embelton and Co Pty Ltd. A PDF catalogue is available for download at www.embelton.com.au



Type	Max Load Kg	Static Defl. MM	Spring Colours	H	A	G	J	K	E
XS-9	10	33	Yellow	84	60	12	-	16	12
XS-10	15	33	Brown						
XS-11	30	33	Blue						
XS-12	50	28	Black						
XS-13	75	25	Red						
XS-14	125	25	Green						
XS-16	175	20	Grey						
XS-17	200	15	Orange						

Type	Max Load Kg	Static Defl. MM	Spring Colours	H	A	G	J	K	E
XL-89	10	40	White	127	80	M16	M10	20	13
XL-90	20	38	Violet						
XL-91	35	35	Violet/Black						
XL-92	50	33	Yellow						
XL-93	100	33	Brown						
XL-94	150	30	Blue						
XL-95	200	30	Black						
XL-96	250	28	Red						

Vibration isolators



CLM Seismic Mounting

An integrated, stand alone six direction restrained spring mounting with cup located springs and internal level adjustment. CLM Mounts are rated to the static force restraint requirements of:

AS1170.4 for application up to maximum equipment loads in all Australian seismic zones.

NZS4219 for application with reduced equipment load range in New Zealand.

Application

Where equipment requires the use of a spring type mounting for high degree isolation under normal operating conditions but with the facility to restrain equipment from excessive motion in any direction due to displacement inputs imparted by the foundation through earthquake activity.

Features

- Heavy duty stable steel spring
- Acoustically isolating location cup
- Single adjustable central vertical restraint and levelling bolt
- Fully weather proofed

Construction

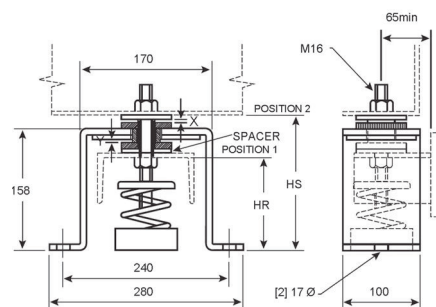
Hot dipped galvanised steel housing, oil resistant high frequency spring base location cup. All other components including spring are zinc plated.

Mounting Selection

When selecting mountings for seismic applications, it is recommended that the calculated mass of the equipment be increased by 20% to ensure static deflections are conservative. For equipment using more than four mounting points, distribution of the mounting should be such that each has equal loading. If this cannot be done, mounting selections must be made on the basis of matching static deflections as closely as possible.

Further Technical Information

This overview provides minimum detail and should not be used for final design purposes. Reference should be made to the relevant earthquake standards for the country concerned. Detailed technical information specific to the correct selection of seismic mounts is available from the manufacturer, GP Embelton and Co Pty Ltd. www.embelton.com.au



Type	Max Load Kg	Static Defl. MM	Spring Colours	Horiz. Restraint Capacity	Vert. Restraint Capacity
CLM-89	10	40	White	3.5kN	7kN
CLM-90	20	38	Violet		
CLM-91	35	35	Violet/Black		
CLM-92	50	33	Yellow		
CLM-93	100	33	Brown		
CLM-94	150	30	Blue		
CLM-95	200	30	Black		
CLM-96	250	28	Red		
CLM-97	300	28	Green		
CLM-98	400	25	Grey		