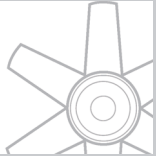


## VD Series - adjustable pitch roof axial



**VD Vertical Discharge Exhaust**

product VD Series - adjustable pitch roof axial		
dimensions mm 400 - 1000	poles & duty 2 - 8 / up to 22,000 L/s	
application A highly competitive general purpose range for input or extract ventilation. <b>Smoke spill available in VD models.</b>		

### Specifications

Bases for all models are of galvanised steel construction. Wind bands and shutter flaps are manufactured from galvanised steel. The flap mounting mechanism is designed to prevent water leaking into the fan. Special materials and finishes are available for hazardous environments and special circumstances. Available in optional Colorbond™ colours.

### Testing

Units comply with AS4429 and AS1668 pt1 for Smoke Spill applications. Rated fan performance has been determined by testing to ISO 5801 : 2007. Fan sound data has been determined by testing to BS848 Part 2 : 1985 or AMCA 300.

### Impellers

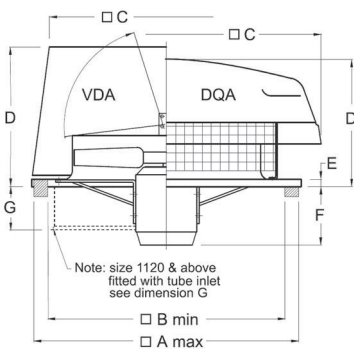
Aerofoil adjustable pitch impellers are available in a range of materials, including pressure die cast aluminium, injection moulded glass reinforced polypropylene (GRP) and nylon. Impellers are balanced to ISO1940 Grade G6.3.

### Motors

Motors are of TEFC design. Motor enclosure features IP54 protection. Motor windings incorporate class ' F ' insulation as standard although class ' H ' is readily available. Motor bearings are sealed for life and maintenance free.

### Wiring diagrams and latest data

Refer to the latest product datasheet for individual model wiring instructions, data and specifications. Datasheets are available from our electronic selection software **FansSelect** downloadable at [www.pacificHVAC.com](http://www.pacificHVAC.com). It is the responsibility of the user to connect the thermal contacts where provided to protect the motor. It is a condition of our warranty that all equipment supplied is installed according to the requirements of AS/NZS3000:2007 Australian/New Zealand wiring rules.



VD							
Size	A	B	C	D	E	F	kg
400	530	440	480	315	50	183	30
500	645	545	556	445	80	253	40
560	715	615	626	445	80	253	50
630	795	695	686	511	80	286	60
710	840	740	776	515	80	286	70
800	960	810	816	635	80	323	80
1000	1160	1010	1034	635	80	223	130

## VD envelopes by Ø and motor speed

### Performance Envelope Curves

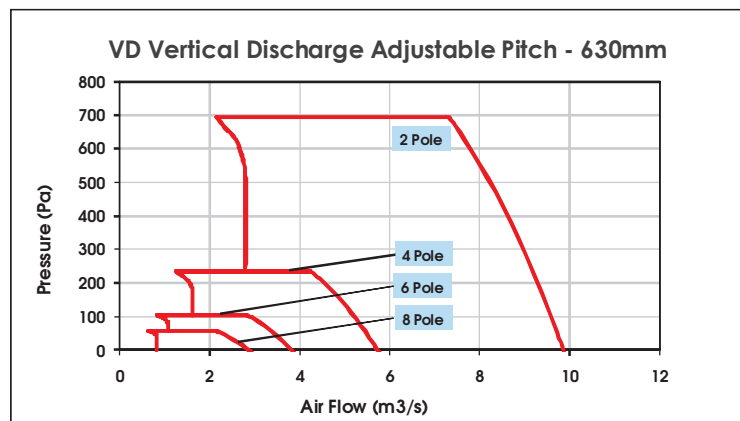
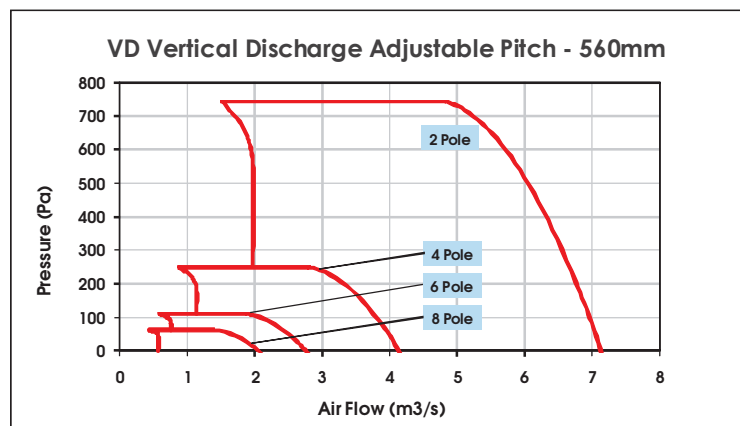
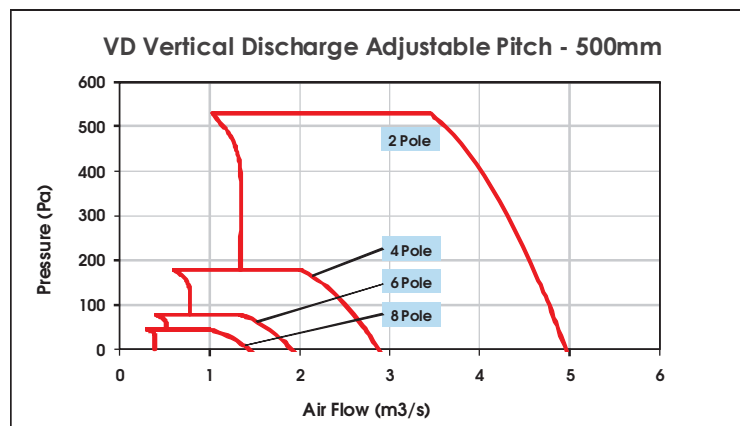
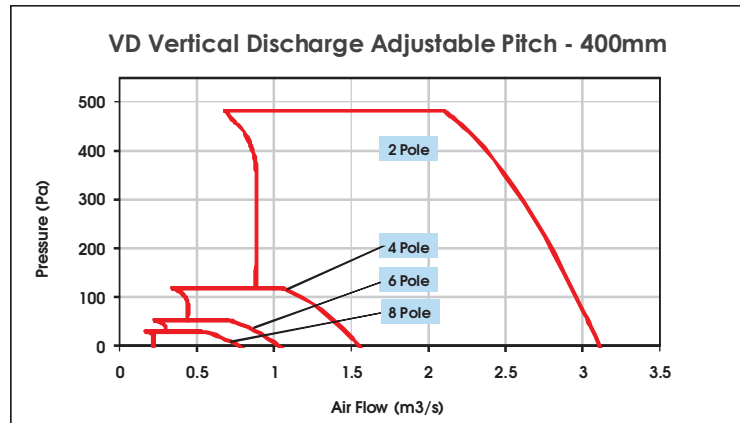
The performance curves on this page offer a guide to the duties covered within the model range described. Performance envelopes have been grouped by motor speed for each fan model's available diameter. Note that scales for all charts are linear. We strongly recommend that these curves be used as a guide only. For detailed performance capability refer to our fan selection software **FansSelect** available for free download at [www.pacificHVAC.com](http://www.pacificHVAC.com)



VD Vertical Discharge Exhaust

#### Suggested Specification

Adjustable Pitch Axial Flow Exhaust type fans shall be of the VD Series manufactured by Pacific HVAC Engineering. Axial Flow impellers shall be driven by TEFC motors with sealed for life bearings. Fan cases shall be pressed galvanised sheet steel housings. Impeller blades to be of aerofoil section manufactured from Nylon, GRP, Antistatic or pressure die cast aluminium. All fans shall be fully tested in accordance with the requirements of ISO 5801 : 2007 for air flow and BS848 Part 2 : 1985 or AMCA 300 for sound.



#### Ancillaries



## VD envelopes by Ø and motor speed

### Performance Envelope Curves

The performance curves on this page offer a guide to the duties covered within the model range described. Performance envelopes have been grouped by motor speed for each fan model's available diameter. Note that scales for all charts are linear. We strongly recommend that these curves be used as a guide only. For detailed performance capability refer to our fan selection software **FansSelect** available for free download at [www.pacificHVAC.com](http://www.pacificHVAC.com)



VD Vertical Discharge Exhaust

