

## MFP MixJet Series - inline mixed flow



### MFP Series

In line duct type fans using a mixed flow impeller design with two speed motors as standard and exceptionally low noise levels. Motor cases unclip from duct connections for easy servicing. The ideal solution for medium demand ventilation in commercial and residential systems. Suitable for room to room air transfer and supply or exhaust ventilation.

### Construction

The range is fitted with mixed flow impellers driven by long life motors with sealed for life bearings. Cases are made from injection moulded polymer.

### Features

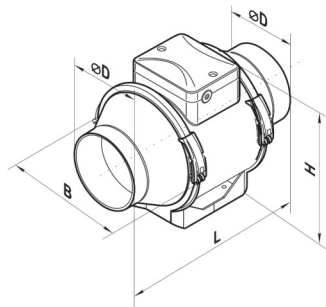
High or Low speed operation.  
Speed controllable with VA controller (on high fan speed setting only).  
Can be installed in parallel or series configuration for higher pressures or flows.  
Easy motor/impeller dismount system.

### Testing

Rated fan performance has been tested in accordance with the requirements of ISO 5801 : 2007. Fans sound data has been determined by testing to ISO 13347 : 2004.

### Wiring

Fans are fitted with flex leads and plugs.

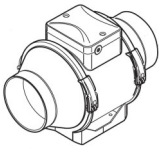


### Suggested Specification

The mixed flow type fans shall be of the MFP Series with two speed motors supplied by Pacific HVAC Engineering. Mixed flow impellers shall be driven by long life motors with sealed for life bearings. Cases shall incorporate fast release mechanisms to permit maintenance access. All fans shall be fully tested in accordance with the requirements of ISO 5801 : 2007 for air flow and ISO 13347 : 2004 for sound.

Fan Model	ØD	B	H	L	Weight, kg
MFP 100	97	195.8	226	302.5	1.54
MFP 125	123	195.6	226	258.5	1.51
MFP 150	148	220	247	289	2.1
MFP 200	199	239	261	295.5	6.4
MFP 250	247	287	323	383	8.3
MFP 315	310	362	408	445	11.4

Fan Model	Full Load Current	Motor kW	Shaft Rev s /sec	dB(A) @3m	SPL dB referred to 10 <sup>-12</sup> W							
					63	125	250	500	1k	2k	4k	8k
MFP100-V-HIGH	0.11	0.025	44	35	51	52	56	53	49	49	44	38
MFP100-V-LOW	0.1	0.023	34	29	45	46	50	47	43	43	38	32
MFP125-V-HIGH	0.13	0.034	38	38	52	53	60	55	54	53	45	35
MFP125-V-LOW	0.11	0.029	27	30	44	45	52	47	46	45	37	27
MFP150-V-HIGH	0.22	0.05	44	46	59	56	53	65	61	59	55	44
MFP150-V-LOW	0.19	0.042	32	39	52	49	56	58	54	52	48	37
MFP200-V-HIGH	0.48	0.108	40	51	62	61	63	61	65	69	61	53
MFP200-V-LOW	0.34	0.076	32	43	55	53	58	55	59	60	55	47
MFP250-V-HIGH	0.79	0.177	41	54	66	61	67	65	68	72	64	52
MFP250-V-LOW	0.54	0.125	33	50	52	53	62	61	64	68	60	47
MFP315-V-HIGH	1.42	0.32	41	57	69	61	71	69	73	74	69	57
MFP315-V-LOW	1	0.23	32	55	67	60	67	66	70	72	66	54



## MFP Mix et Series - inline mixed flow

### Ancillaries

