

## EC SBD Series - low profile centrifugal fans



### SBD EC Series

The SBD EC series is a low profile high performance centrifugal fan designed for use in ducted ventilation systems. The fans incorporate permanent magnet electronically commutated (EC) motors with advanced centrifugal impellers for exceptional efficiency. Ideal for commercial, residential and apartment ventilation where cavity space is limited. The fans include integrated non-return dampers as standard.

### Construction

The range is fitted with backward curved 'Radical' centrifugal impellers. Cases are made from injection moulded flame retardant V0 polymer.

### Features

- High efficiency permanent magnet EC motors.
- Non-return dampers built in.
- Long spigots for easy duct connection.
- Fits into tight spaces.
- Fans can be mounted at any angle

### Testing

Rated fan performance has been determined by testing to ISO 5801 : 2007. Fan sound data has been determined by testing to ISO 13347 : 2004.

### Wiring

Fans are fitted with flex leads and plugs.

### Speed Control

The fans are fitted with a potentiometer dial control housed in a fly lead junction box. In addition, BMS or sensor 0-10V input can be wired on site, see the wiring instruction available from our electronic selection software

**FansSelect** downloadable at [www.pacificHVAC.com](http://www.pacificHVAC.com)

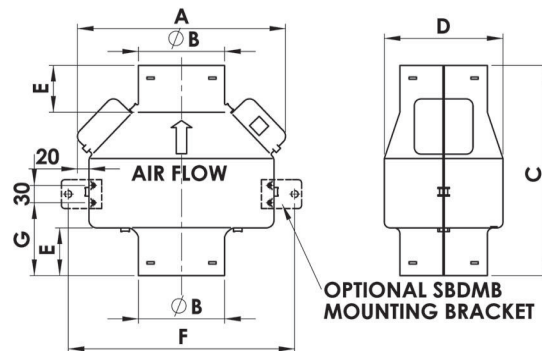
#### Suggested Specification

Low profile EC centrifugal type fans shall be of the EC SBD Series manufactured by Pacific HVAC Engineering Pty Ltd.

Backward curved impellers shall be driven by permanent magnet EC external rotor motors with sealed for life bearings.

The fans shall incorporate low resistance back-draft dampers fitted within the outlet spigot.

All models shall be performance tested to ISO 5801 : 2007 for air flow and ISO 13347 : 2004 for sound.

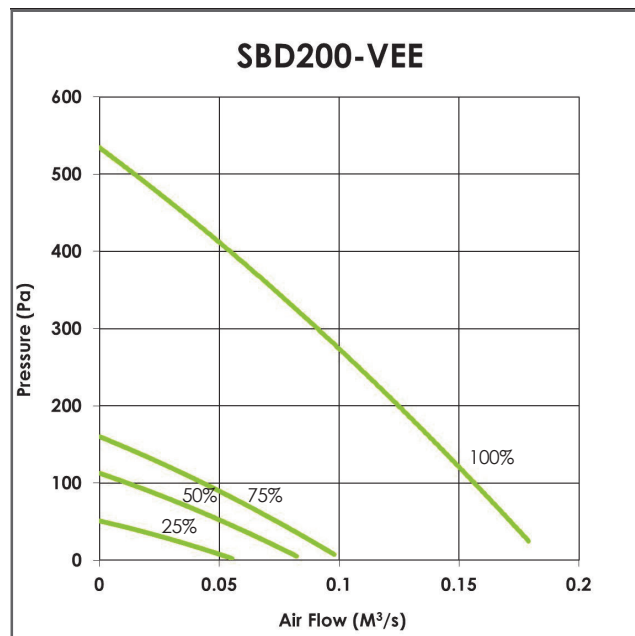
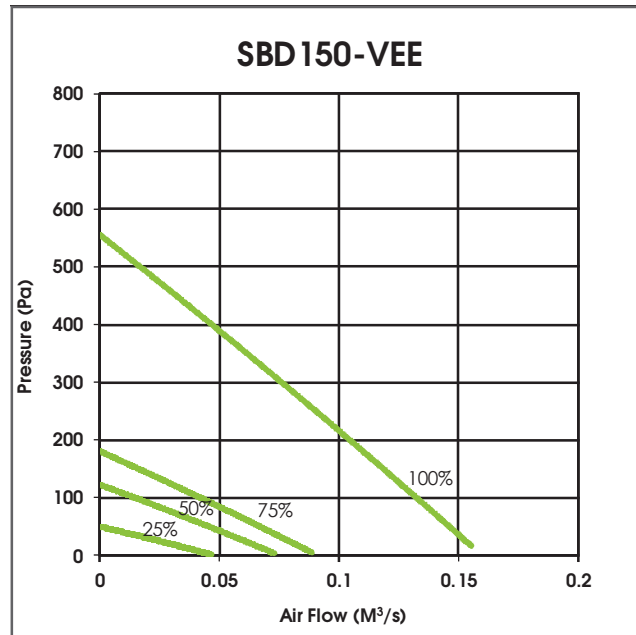
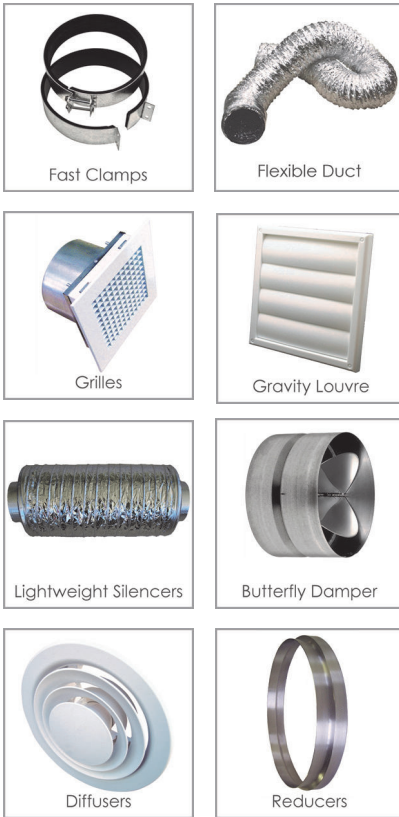


Fan Model	A	ØB	C	D	E	F	G	kg
150	360	150	350	205	75	404	140	3
200	380	200	385	255	83	426	148	3.5

Model	% Speed	kW	Amps	RPS	dB(A) @ 3m	SPL dB referred to 10 <sup>-12</sup> W							
						63	125	250	500	1K	2K	4K	8K
SBD150-VEE	100	0.08	0.75	53	48	71	64	61	64	63	63	60	50
SBD150-VEE	75	0.04	0.32	40	41	64	57	54	57	56	56	53	43
SBD150-VEE	50	0.01	0.09	27	31	54	47	44	47	46	46	43	33
SBD150-VEE	25	0.00	0.01	13	14	37	30	27	30	29	29	26	16
SBD200-VEE	100	0.08	0.75	53	47	61	61	66	67	66	68	62	64
SBD200-VEE	75	0.04	0.32	40	40	55	55	60	61	60	62	56	58
SBD200-VEE	50	0.01	0.09	27	30	46	46	51	52	51	53	47	49
SBD200-VEE	25	0.00	0.01	13	13	31	31	36	37	36	38	32	34

## EC SBD Series - low profile centrifugal fans

### Ancillaries



Speed control wiring - external sensor or BMS input.

### FDWD-21

#### Power

This fan is prewired with a standard 3-Pin plug

#### Control

