

ACC - air circulator centrifugal



ACC Air Circulator Centrifugal

The ACC Air circulator delivers jet style air movement in large open spaces such as gymnasiums, school halls, factories and warehouses. By combining high performance centrifugal fans with optimised case and vent design, the ACC Air Circulator is effective in providing comfortable air movement without unnecessary turbulence or noise. The fans can be applied to situations requiring cooling air movement at floor level over large areas where HVLS (MacroAir) style fans are not suitable due to physical obstructions. The compact design of the ACC unit makes it an ideal solution in tight spaces or long narrow areas such as warehouse aisles. ACC Air Circulators are also effective for destratification applications in cooler weather.

Construction

Manufactured from sheet steel with powder coat finish. Motors are external rotor types with backward curved centrifugal impellers and sealed for life bearings.

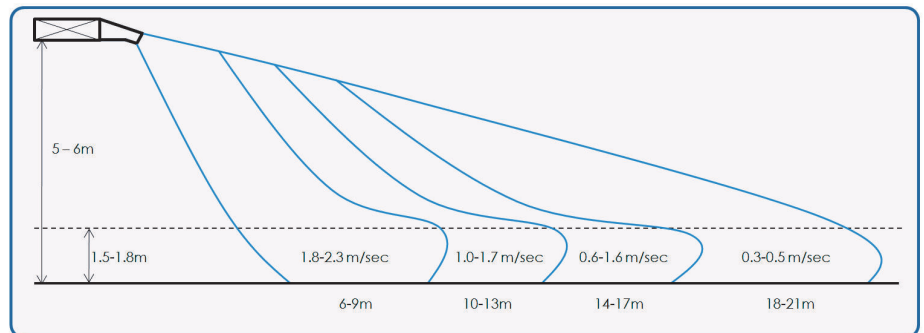
Features

Fully speed controllable.
Ideal for cooling or destratification.
Provides powerful air movement in restricted spaces.
Powder coat finish as standard.

Wiring diagrams and latest data

Refer to the latest product datasheet for individual model wiring instructions. It is the responsibility of the user to connect the thermal contacts where provided to protect the motor. It is a condition of our warranty that all equipment supplied is installed according to the requirements of AS/NZS3000:2007 Australian/New Zealand wiring rules.

Air velocity characteristics

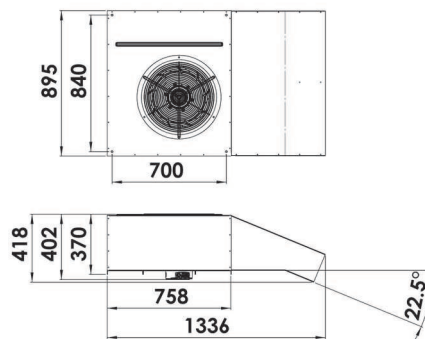


Suggested Specification

Air circulator type fans shall be of the ACC Series manufactured by Pacific HVAC Engineering Pty Ltd.

Backward curve impellers shall be driven by external rotor motors with sealed for life bearings. Fan cases shall be of galvanised steel with powder coat finish.

All fans shall be fully run tested in accordance with the requirements of the Pacific HVAC Engineering ISO 9001 Quality System.



Fan Model	Full Load Current	Motor kW	Shaft Revs /sec	Thrust	dB(A)@ 3m	Kg
ACC560-6D	1.68	0.78	16	11N	53	55
ACC560-6E	2.8	0.61	16	11N	51	54