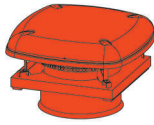


FAD Series - flame proof fans - roof mounted axial

FAD Series



Pacific HVAC Engineering offers a complete range of certified flame proof fans designed for ventilation applications in hazardous or explosive environments.

Construction

Casings for all models are of hot dipped galvanised steel to AS1650 with bell mouth inlets. Caps are formed from UV resistant ABS polymer. Impellers are high efficiency axial flow type.

Motors

Type – Squirrel cage induction motor

Electrical Supply – 220-240V single Phase, 50 Hz

Bearings – sealed for life

Operating temperature range -40°C to 50°C

This series holds IECEx Certificate of Conformity IEC Ex EUT 14.0001X

The series is certified for use in Ex d area classification Class 1, Zone 1

Apparatus Group IIA, IIB, and IIC, Temperature class T3,T4 and T5

These products are rated to IP66

Testing

Rated fan performance has been determined by testing to ISO 5801 : 2007.

Fan sound data has been determined by testing to ISO 13347 : 2004.

Wiring diagrams and latest data

Refer to the latest product datasheet for individual model wiring instructions, data and specifications. Datasheets are available from our electronic selection software **FansSelect** downloadable at www.pacificHVAC.com

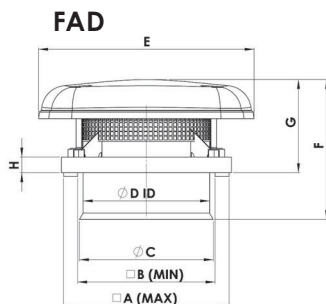
It is a condition of our warranty that all equipment supplied is installed according to the requirements of AS/NZS3000:2007 Australian/New Zealand wiring rules.

Suggested Specification

Flame Proof type fans shall be of the FAD Series manufactured by Pacific HVAC Engineering Pty Ltd.

The fans shall be certified for use in Ex d area classification Class 1, Zone 1 Apparatus Group IIA, IIB, and IIC, Temperature class T3,T4 and T5.

All fans shall be fully tested in accordance with the requirements of ISO 5801 : 2007 for air flow and ISO 13347 : 2004 for sound.



FAD Series

Size	A	B	C	D	E	F	G	H	Weight
315	530	440	344	315	690	450	300	50	34
400	530	440	430	400	690	450	300	50	35

Fan Model	Full Load Current	Motor kW	Shaft Revs / sec	dB(A) @ 3m	SPL dB referred to 10 ⁻¹² W							
					63	125	250	500	1K	2K	4K	8K
FAD315-4E-D00	1.2	0.12	24	34	65	66	59	56	51	49	42	33
FAD315-4E-D10	1.2	0.12	24	37	66	68	63	59	52	52	45	35
FAD315-4E-D15	1.2	0.12	24	39	66	70	66	59	57	55	47	38
FAD400-4E-D10	1.2	0.12	24	41	65	70	68	58	58	60	48	45
FAD400-4E-D15	1.2	0.12	24	42	65	70	70	64	59	56	49	48
FAD400-4E-D20	1.2	0.12	24	42	65	72	62	61	60	59	55	43

